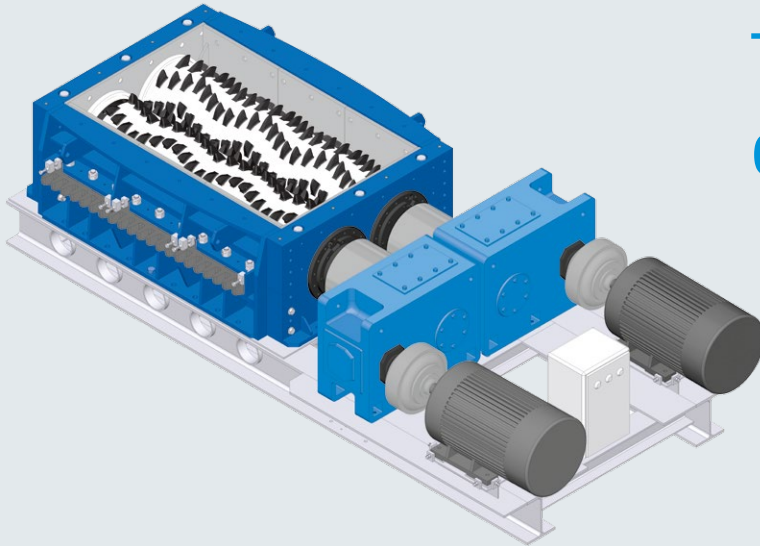




RollSizer DRS 500 x 1500 S SideSizer for Coal

thyssenkrupp



The different way of crushing

Proven quality – great flexibility – easy operation

The material is crushed by pressure and shear forces generated by high rotor torques at a low circumferential speed. Fines are passing the rolls without being crushed by falling through the gap between the rolls. Therefore the specific power consumption, the wear rate and the fines content in the final product are considerably lower compared to other crushing systems. thyssenkrupp SideSizers are used for secondary and tertiary crushing.

Features

Compact design resulting in a low overall height

- Suitable to be easily integrated into existing plants

Clearly defined product size due to the exactly determined geometry of the lateral crushing comb

- Adjustability allows a high flexibility in setting the final grain size

High capacity due to two crushing gaps

Excellent grip

- According to application harmonized roll distance, number and geometry of teeth

Crushing rolls with exchangeable crushing segments

- Quick and easy exchange of crushing segments
- High durability because of wear resistant steel
- Optimized shape of the teeth

Drive concept

- Customized heavy duty gear boxes
- Good accessibility
- Easy maintenance

Monitoring devices

- Proper functioning is monitored by speed and temperature sensors

Housing and base frame

- Wear protection plates inside the crushing chamber
- Crushing forces are absorbed within the machine frame

Automatic grease lubrication unit

- Lubrication for bearings and labyrinths
- Lubrication system is monitored

RollSizer DRS 500 x 1500 S SideSizer for Coal

Technical Specification

General data

Materials:	Coal, lignite etc.	
Maximum feed size	- 8 teeth:	0 – 200 mm edge length
	- 12 teeth:	0 – 180 mm edge length
Product size	- 8 teeth:	0 – 50 (80) mm
	- 12 teeth:	0 – 30 (50) mm
Capacity:	up to 575 t/h	

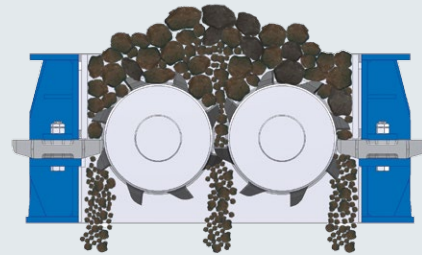
Crusher

Type of RollSizer:	SideSizer
Roll distance:	500 mm
Roll length:	1,500 mm
Type of teeth:	Exchangeable tooth segments
Number of teeth rows per roll:	8 or 12, depending on feed size
Feed opening dimensions (L x W):	1,520 mm x 1,080 mm
Main dimensions (l x w x h):	5,100 mm x 2,270 mm x 940 mm
Total weight:	up to 14 mt

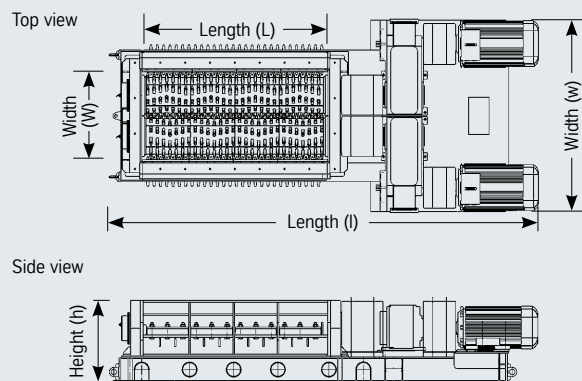
Drive

Drive concept:	Mechanical double drive arranged on one side
Motor power:	2 x 90 kW

Crushing principle



Main dimensions



Contact

thyssenkrupp Industrial Solutions AG

Graf-Galen-Straße 17
 59269 Beckum, Germany
 Phone: +49 2525 99-0
 E-mail: smb.tkis-rt@thyssenkrupp.com
www.thyssenkrupp-industrial-solutions.com

Sales representative

© 2017 Product specifications and prices are subject to change without notice or obligation. The photographs and/or drawings in this document are for illustration purposes only. The operation values are considered to be approximate and will be finally determined on the basis of the specific task and the material characteristics. The only warranty applicable to our equipment is the standard written warranty applicable to the particular product and sale and thyssenkrupp makes no other warranty of accuracy, reliability, completeness, merchantability or fitness for any purpose, express or implied. Products and services listed may be trademarks, service marks or trade-names of thyssenkrupp and/or its subsidiaries in Germany and other countries. All rights are reserved.