

## The different way of crushing

### Proven quality – great flexibility – easy operation

The material is crushed by pressure and shear forces generated by high rotor torques at a low circumferential speed. Fines are passing the rolls without being crushed by falling through the gap between the rolls. Therefore the specific power consumption, the wear rate and the fines content in the final product are considerably lower compared to other crushing systems. thyssenkrupp CenterSizers are used for secondary crushing.

### Features

#### Compact design resulting in a low overall height

- Suitable to be easily integrated into existing plants

#### Excellent grip

- According to application harmonized roll distance, number and geometry of teeth

#### Crushing rolls with exchangeable crushing segments

- Quick and easy exchange of crushing segments
- High durability because of wear resistant steel
- Optimized shape of the teeth

#### Pre-screening effect

- Saving of energy
- Reduction of wear
- Low generation of fines

#### Drive concept

- Customized heavy duty gear boxes
- Good accessibility
- Easy maintenance

#### Monitoring devices

- Proper functioning is monitored by speed and temperature sensors

#### Housing and base frame

- Wear protection plates inside the crushing chamber
- Crushing forces are absorbed within the machine frame

#### Automatic grease lubrication unit

- Lubrication for bearings and labyrinths
- Lubrication system is monitored

# RollSizer DRS 500 x 1000 C CenterSizer for Coal

## Technical Specification

### General data

Materials:	Coal, lignite etc.
Maximum feed size:	0 – 350 mm edge length
Product size:	0 – 70 mm
Capacity:	up to 200 t/h

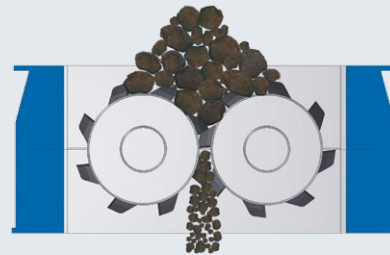
### Crusher

Type of RollSizer:	CenterSizer
Roll distance:	500 mm
Roll length:	1,000 mm
Type of teeth:	Exchangeable crushing segments
Number of teeth rows per roll:	8
Feed opening dimensions (L x W):	1,020 mm x 1,090 mm
Main dimensions (l x w x h):	3,880 mm x 2,050 mm x 940 mm
Total weight:	up to 11 mt

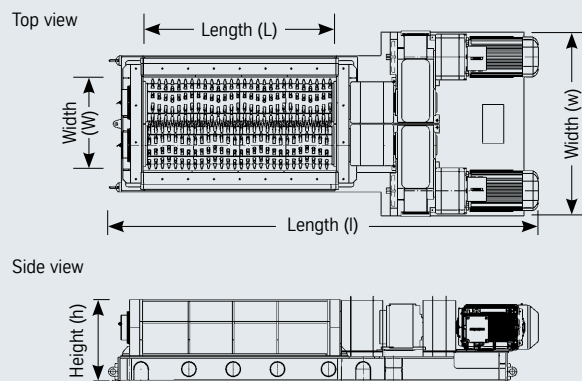
### Drive

Drive concept:	Mechanical double drive arranged on one side
Motor power:	2 x 55 kW

### Crushing principle



### Main dimensions



## Contact

thyssenkrupp Industrial Solutions AG

Graf-Galen-Straße 17  
 59269 Beckum, Germany  
 Phone: +49 2525 99-0  
 E-mail: [smb.tkis-rt@thyssenkrupp.com](mailto:smb.tkis-rt@thyssenkrupp.com)  
[www.thyssenkrupp-industrial-solutions.com](http://www.thyssenkrupp-industrial-solutions.com)

Sales representative

© 2017 Product specifications and prices are subject to change without notice or obligation. The photographs and/or drawings in this document are for illustration purposes only. The operation values are considered to be approximate and will be finally determined on the basis of the specific task and the material characteristics. The only warranty applicable to our equipment is the standard written warranty applicable to the particular product and sale and thyssenkrupp makes no other warranty of accuracy, reliability, completeness, merchantability or fitness for any purpose, express or implied. Products and services listed may be trademarks, service marks or trade-names of thyssenkrupp and/or its subsidiaries in Germany and other countries. All rights are reserved.