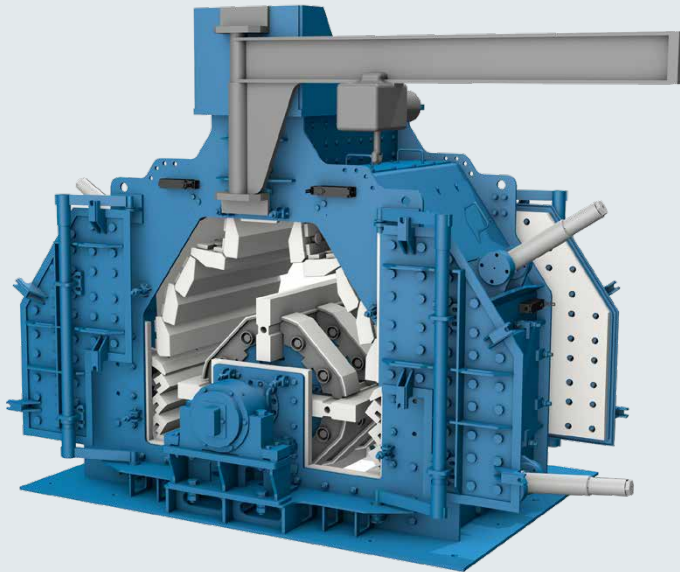


Reversible impact crusher variopactor 1005 C and 1005 S



thyssenkrupp



The new generation of versatile impact crushing

Proven quality – great flexibility – easy operation

With its modular design, the variopactor can be adapted to a wide variety of applications producing gravel and chippings (C-type) as well as sands (S-type). The completely symmetrical design of rotor and crushing chamber allows for operation in both directions, thereby ensuring a constant product and reducing downtimes significantly. Aprons and grinding paths can be simply adjusted at push of button. The innovative blow bar design offers significantly increased service life.

FEATURES

Production of gravel, chippings and sand in one machine

Cubical, stress- and crack-free product

Constant product curve of crushed material during complete life cycle of the wear parts

High utilization rate of blow bars

Highly versatile crusher

- Optimal applicability for medium hard to hard rock
- Good control of the product curve by adjusting the crushing gaps, the rotor speed and the rotor direction

Rotor

- With 4 blow bars for gravel and chippings production
- With 2 blow bars for sand production
- Innovative Metal Matrix Composite (MMC) blow bar design or chromium steel

Crushing Chamber

- Crushing chamber is equipped with two adjustable impact aprons
- Two adjustable grinding paths in the C-type limit the max. product size and to further improve the cubicity (option)
- Wear protection plates inside the crushing chamber at the side-walls with interchangeability reaching >95 %

Housing

- Large doors on both sides, easy to open
- Good access to the wear parts

Maintenance

- Crane arm with electric chain hoist is readily installed
- Clamping and lifting device for handling the blow bars

Drive

- V-belt drive

Reversible impact crusher variopactor 1005 C and 1005 S



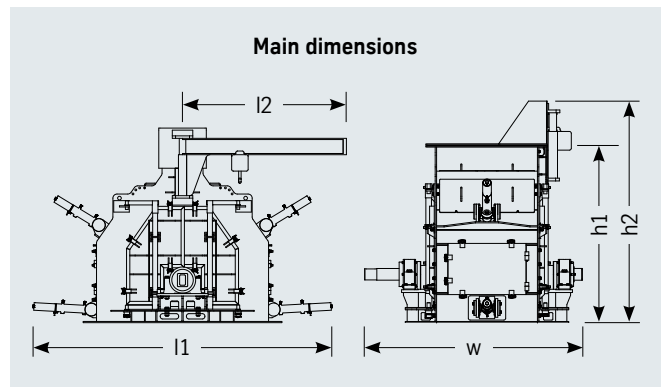
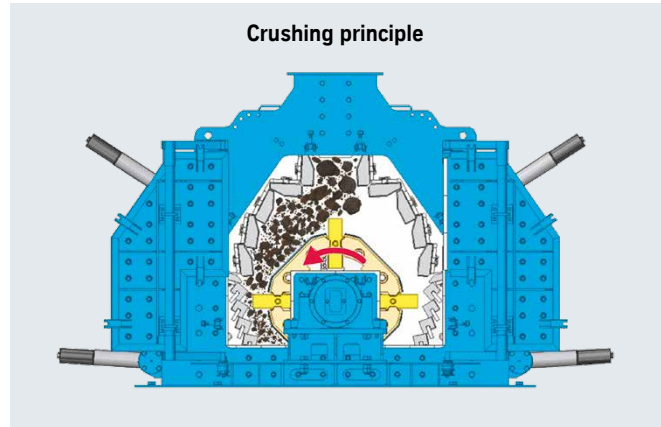
Technical Specification

General data	1005 C	1005 S
Materials:	Medium hard to hard rock: limestone, dolomite, gypsum, gravel, granite, basalt, glass etc.	
Products:	Chippings	Sands
Max. feed size:	150 mm	65 mm
Capacity:	up to 60 mtp	

Crusher	1005 C	1005 S
Standard configuration (different executions are available):	4 blow bars rotor, grinding path	2 blow bars rotor, no grinding path
Feed opening (W x L):	280 mm x 500 mm	175 mm x 500 mm
Rotor diameter:	1,000 mm	
Rotor width:	500 mm	
Total weight*:	approx. 6,500 kg	approx. 6,000 kg
Number of blow bars:	4	2
Main dimensions (l1 x w x h1):	4,100 mm x 1,900 mm x 1,900 mm	
Main dimensions (l2 x h2):	2,100 mm x 2,360 mm	

Drive	1005 C	1005 S
Drive concept:	V-belt	
Motor power:	up to 200 kW	

*without main motor



Contact

thyssenkrupp Industrial Solutions AG

Graf-Galen-Straße 17
59269 Beckum, Germany
Phone: +49 2525 99-0
E-mail: smb.tkis-rt@thyssenkrupp.com
www.thyssenkrupp-industrial-solutions.com

Sales representative

© 2019 Product specifications and prices are subject to change without notice or obligation. The photographs and/or drawings in this document are for illustration purposes only. The operation values are considered to be approximate and will be finally determined on the basis of the specific task and the material characteristics. The only warranty applicable to our equipment is the standard written warranty applicable to the particular product and sale and thyssenkrupp makes no other warranty of accuracy, reliability, completeness, merchantability or fitness for any purpose, express or implied. Products and services listed may be trademarks, service marks or trade-names of thyssenkrupp and/or its subsidiaries in Germany and other countries. All rights are reserved.